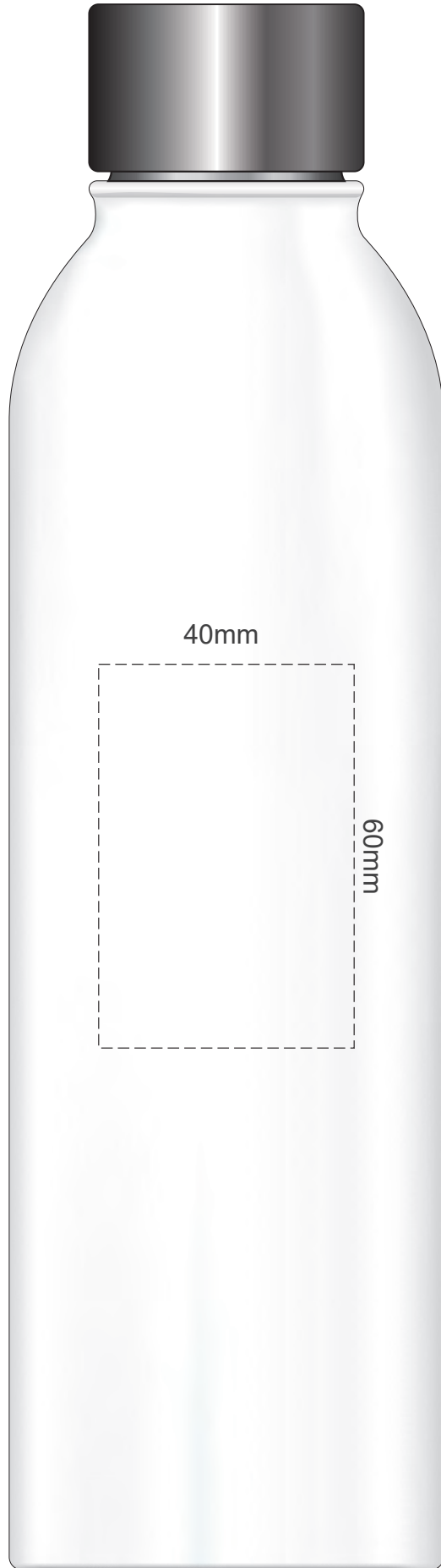




100% of Actual Size  
Pad Print



40mm

60mm

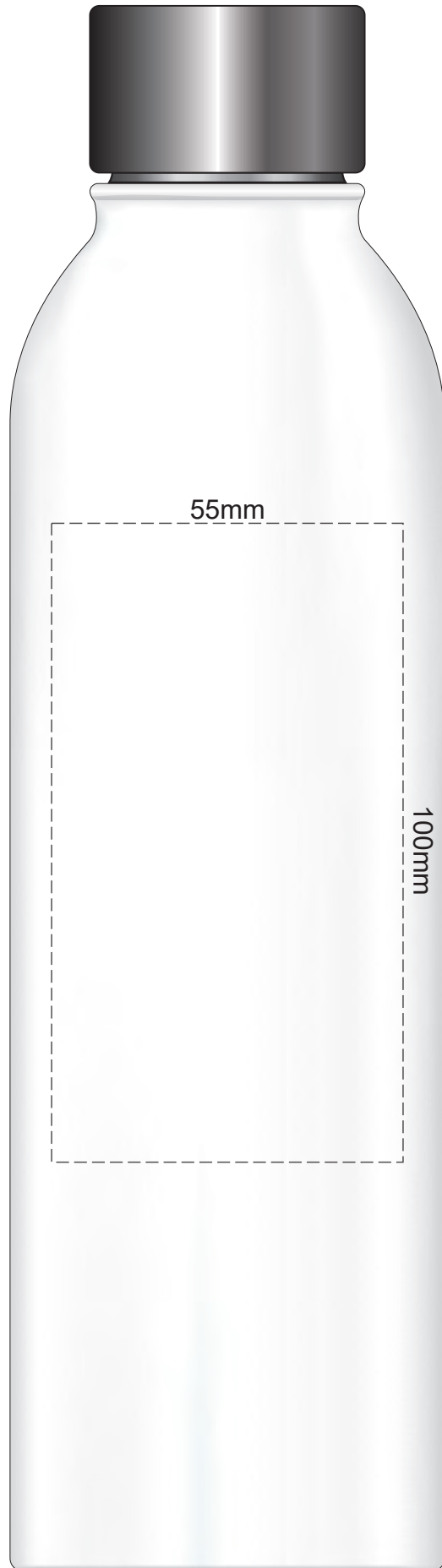


100% of Actual Size  
Screen Print (one colour only)





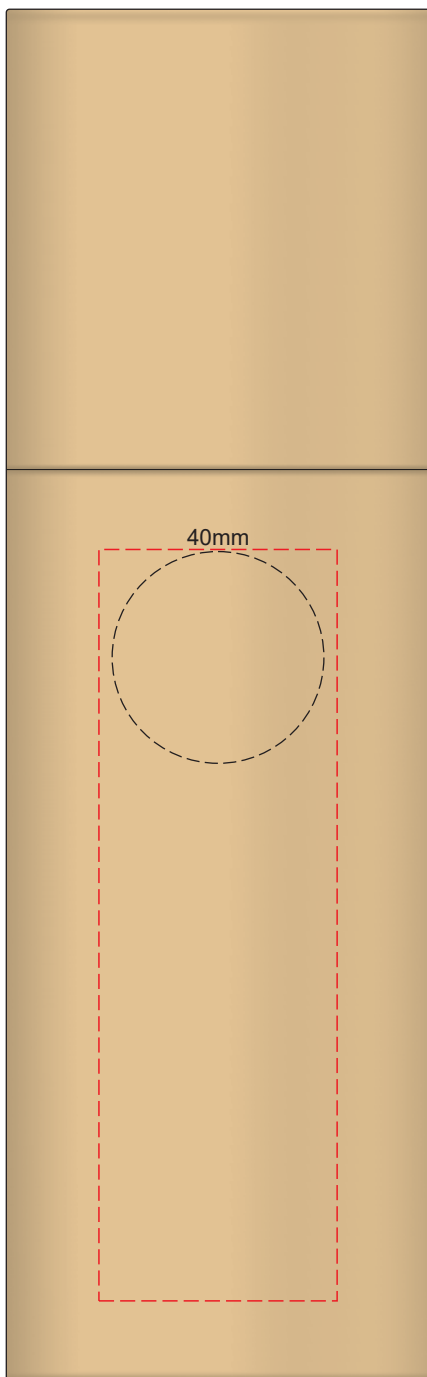
100% of Actual Size  
Laser Engraving



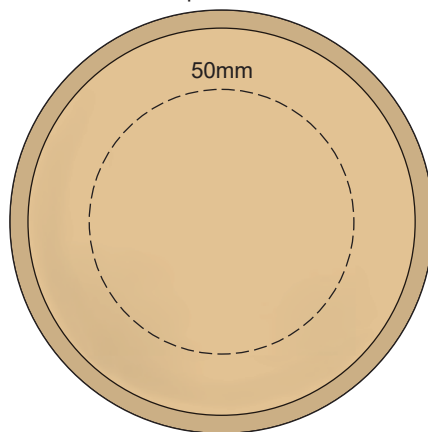
Engraves to a  
Shiny Steel Finish



70% of Actual Size  
Pad Print (one colour)



Top of Tube



Branding area can be moved anywhere within the red line.